

## Model HA/PA30



The new  
**Michelangelo Series**  
conceived with new modular design,  
guarantees high flexibility. It is designed  
with simplicity in mind for easy  
maintenance and installation and for  
heavy duty applications. Suitable fo CIP  
and SIP

**Powered by Interpump Group**

### MODEL TABLE\* | MAXIMUM CAPACITY\*\* | PRESSURE

MODELS	POWER kW	PRESSURE bar	150	200	250	400	600	1000	1200	1500
HA/PA30	7,5	CAPACITY l/h	1.500	1.100	900	500	300	150	100	100

\*Values referring to machines with fixed capacity

\*\*Values referring to products with a max viscosity of 500Cp

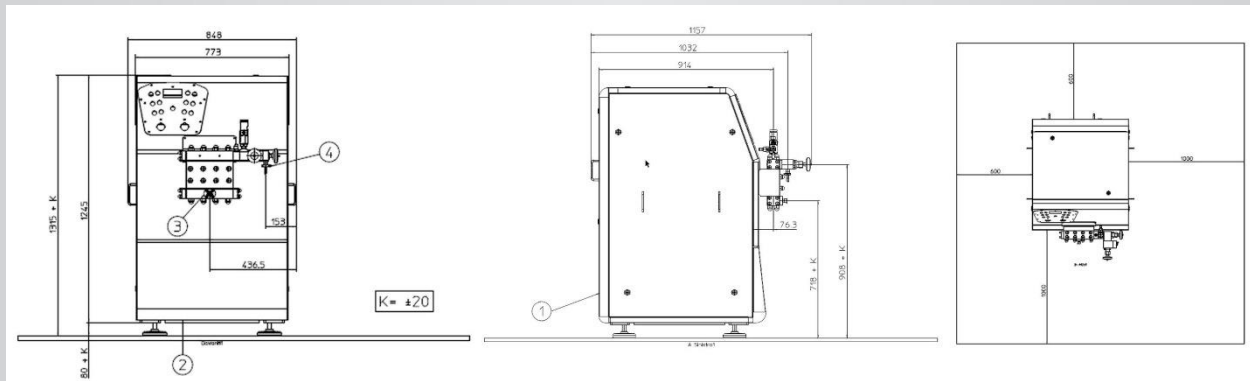
### TECHNICAL DATA

Plunger number	3
Stroke (mm)	50
Weight (Kg)	800
Water consumption (l/h)	150
Lubrication oil quantity (kg)	(SAE 85W-90) 4
Air and water inlet	½" female
Water discharge	½ female
Product inlet/outlet	Socket weld flange Øe40 Øi37 / Øe29 Øi22

Design according to MACHINE DIRECTIVES and the HARMONIZED EUROPEAN STANDARD in force.



## Model HA/PA30



### FEATURES

Duplex (SAF2205) monoblock stainless steel compression head of high mechanical and corrosion resistance, chrome coated pumping plungers

Direct transmission system with trapezoidal belts and pulleys

Homogenizing group with hydro-pneumatic adjustment of homogenizing pressure for maximum stability and homogenizing valves in stellite™

Flat type pumping group with stellite seat and valves

Digital pressure transmitter with ceramic membrane

Overpressure valve, flow switch alarm

Splash lubrication system, die cast alluminium crankcase, nitrurized crankshaft

Terminal box and control panel for local/remote control

### OPTIONS

Second stage homogenizing group

Tungsten carbide valve seats

Superduplex SAF 2507 Multiblock compression head for pressure >600 bar

Pumping plungers

Aseptic execution

- Sterile water generator by means of condensed steam generator
- Patent pending sterile water generator by means of microfiltration

- Chrome carbide coating
- Integral ceramics

Electric board

- Internal electric board for fixed and variable capacity
- Automatic pressure control (PID) by means of PLC

3A, EHEDG or PHARMA design

- Low roughness and electropolished wettables
- Certification manual for cGMP

Inlet and outlet connections

Standard or sharp edge Homogenizing valve with different geometries depending on the type of product

- Tungsten carbide
- Ceramics

- DIN 11851, Tri Clamp, SMS
- High pressure outlet
- Option upon request

Ball type valve groups

Explosion proof design

Sound proof design

Vibration and temperature monitoring and alarm

\*\*\*Technical specifications are not mandatory and subject to change without notice.

REV1-11/19-EN

